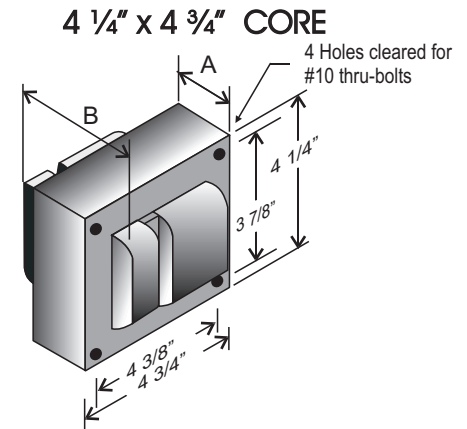


## CATALOG NUMBER: E-971-WDD-S0400 FOR ONE 400 WATT, S51 HIGH PRESSURE SODIUM LAMP

Line Voltage	120/208/240/277/480V
Regulation	
Line Volts	+/- 10%
Line Watts	WITHIN TRAPEZOID
Frequency	60 Hz
Circuit Type	CWA
Power Factor (min)	90%
Insulation Class	H(180°)
Min. Ambient Starting Temp.	-40° F or -40° C

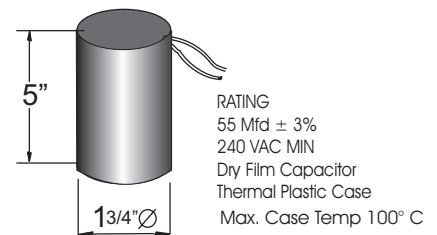
Line Voltage (Volts)	120	208	240	277	480	
Line Current (Amps)						
Operating	3.80	2.20	1.90	1.70	1.00	
Open Circuit	2.00	1.30	1.00	0.90	0.50	
Starting	3.15	1.85	1.60	1.40	0.80	
Input Watts (W)	464	464	464	464	464	
Open Circuit Voltage (V)	190	190	190	190	190	
Drop Out Voltage (V)	86	150	171	193	335	
UL(1029) Bench Top Rise	C	C	C	C	C	
Recommended Fuse (Amps)	10	6	5	5	3	
HIGH POTENTIAL TEST (VOLTS)						
1 Minute	2000					
2 Seconds	2500					
Open Circuit Voltage Test(volts)	177-210					
Short-Circuit Current Test (Amps)						
Secondary Current	6.3 - 7.2					
Input Current (Amps)		2.85 - 3.15	1.65 - 1.85	1.42 - 1.57	1.22 - 1.35	0.71 - 1.79



### CORE AND COIL

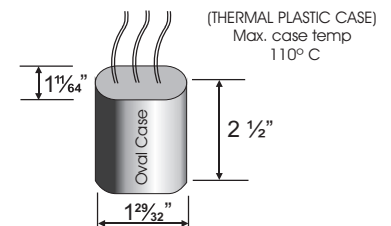
Dimension A (inches)	2.72
Dimension B (inches)	4.80
Weight (Lbs)	15.00
Lead Lengths (inches)	12

### CAPACITOR

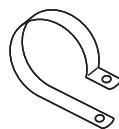
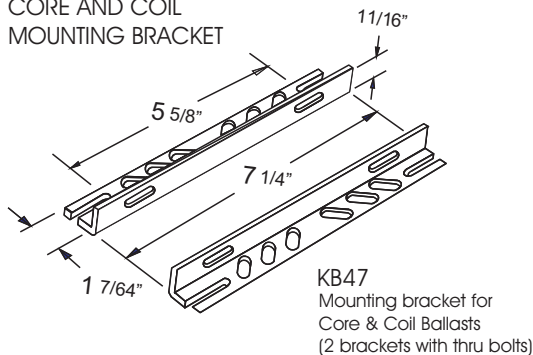


### IGNITOR 37-63-AS-6.9-N6

Ballast to Lamp Distance (BTL): 2 feet



### BRACKET CORE AND COIL MOUNTING BRACKET

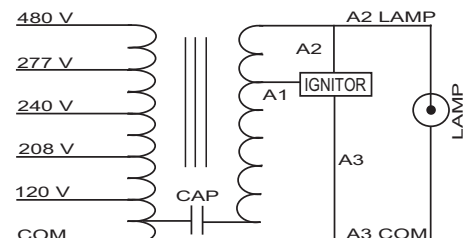


C-01  
MOUNTING CLIP for round case (Furnished as standard with B suffix ballast)



I-01  
MOUNTING CLIP for oval case (Furnished as standard with B suffix ballast)

### WIRING DIAGRAM



MULTI VOLTAGE  
120/208/240/277/480 VOLT CONNECTION

### ORDERING INFORMATION

\*\*\* Add proper suffix to catalog number when ordering as indicated below:  
No suffix = Core and Coil Only  
B= Core and Coil, and Bracket  
C=Core and Coil, and Capacitor  
BC=Core and Coil, Capacitor and Bracket

Data is based upon tests performed by Industrias Sola Basic in a controlled environment and representative of relative performance. Actual Performance can vary depending on operating conditions. Specifications are subject to change without notice.



Lighting & Power Source LP.  
2707 Realty Road, Suite 110  
Carrollton, TX 75006 USA  
Tel: (888) 385-4448  
Fax: (972) 418-5858

Made in Mexico by Industrias Sola Basic S.A de C.V.