

TECHNICAL SPECIFICATION SHEET

50 WATT, MH M110, HX-HPF
BALLAST E-MZAXXX50, 60Hz

CAPACITOR

RATING 6 MFD±3%
200 VAC. MIN

Dry Film Capacitors
Thermal Plastic Case

Dry film capacitor contains
no oil; are furnished
with 12" leads and
includes discharge
resistor.

Max. case temp. 110°C

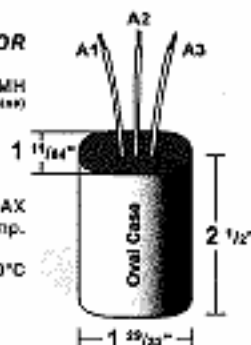


IGNITOR

356-AS-100 MH
(Thermal Plastic Case)

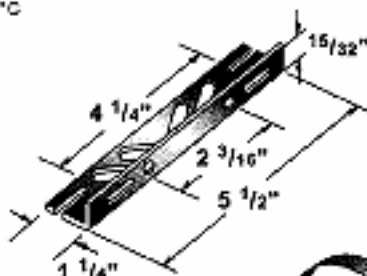
2 F.T. MAX
Distance to lamp.

Max. case temp. 110°C



BRACKET

CORE & COIL
MOUNTING BRACKET



KB39
Mounting bracket for
Core & Coil Ballasts
(1 bracket with thru bolts)

C-01

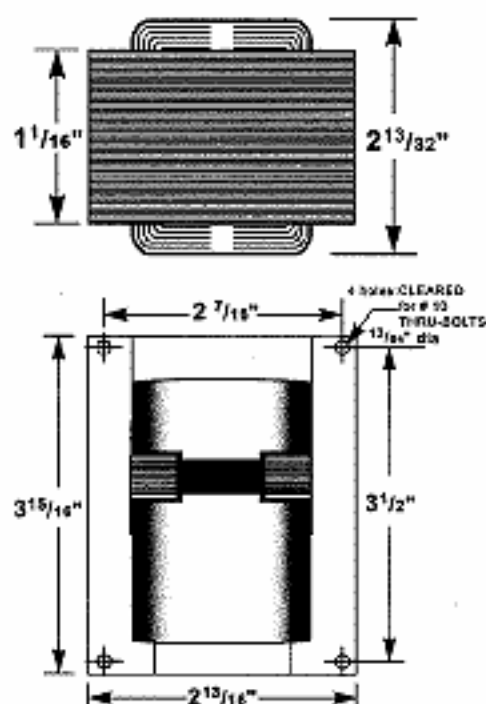
MOUNTING CLIP for round
case (Furnished as standard
with B suffix ballasts)

I-01

MOUNTING CLIP for oval case
(Furnished as standard with B
suffix ballasts)

CORE AND COIL

(3" x 4" CORE)



SOLA ballast leads wires are properly identified
on their surfaces the input voltages. ALL LEAD LENGTHS:
12 INCHES

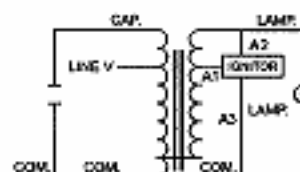
ELECTRICAL CHARACTERISTICS

INPUT VOLTAGE RANGE
POWER FACTOR
LAMP POWER REG.
MIN. STARTING TEMP.

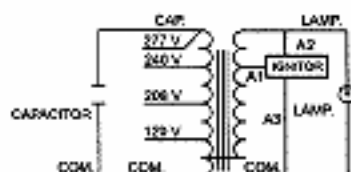
±5%
HIGH
±12%
-20°C



File No. E182278



SINGLE VOLTAGE



MULTI VOLTAGE
120/208/240/277
VOLT CONNECTION

Line Voltage	Catalog Number	Circuit Type	Input Watts	Line Current (AMPS)			Open Circuit Voltage	Drop Out Voltage	Fuses	Ballast Net Weight (lbs)	UL Bench Top Rise Code 1029
				Operating	Open Circuit	Starting					
120/277	E-MZA0FT50	HX-HPF	67	0.6/0.25	1.33/0.58	0.65/0.28	250	90/208	3/2	4.1	B
208	E-MZA00R50	HX-HPF	67	0.35	0.77	0.36	250	150	3	4.1	B
240	E-MZA00M50	HX-HPF	67	0.30	0.68	0.35	250	175	2	4.1	B
277	E-MZA00T50	HX-HPF	67	0.25	0.58	0.28	250	208	2	4.1	B
120 or 208 or 240 or 277	E-MZA00W50	HX-HPF	67	0.60	1.33	0.65	250	90	3	4.1	
		HX-HPF	67	0.35	0.77	0.36	250	150	3	4.1	
		HX-HPF	67	0.30	0.68	0.35	250	175	2	4.1	B
		HX-HPF	67	0.25	0.58	0.28	250	208	2	4.1	

ORDERING INFORMATION

***Add proper suffix to catalog number when ordering as indicated below:

No suffix= Core and Coil and Ignitor Only

B= Core and Coil, Ignitor and Bracket

C= Core and Coil, Ignitor and Capacitor

BC= Core and Coil, Ignitor, Capacitor and Bracket

Lighting & Power Source

8064 Jerome Trail

Dallas, TX 75252

Toll Free: (888) 385-4448

Tel: (972) 248-3399 Fax: (972) 248-4748

Website: www.ballastsource.com

ISB SOLA BASIC
BALLASTS