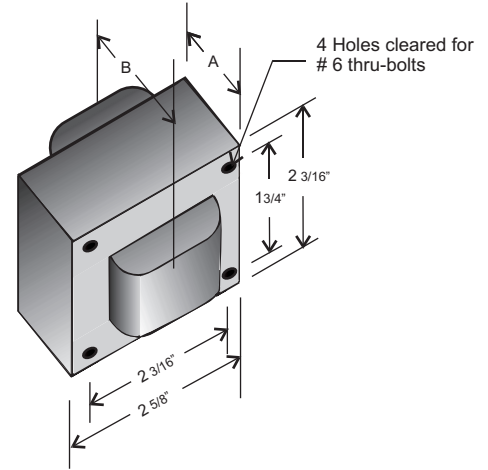


CATALOG NUMBER: E-SRN00F70 FOR ONE 70 WATT, S-62 HIGH PRESSURE SODIUM LAMP

Line Voltage	120 V
Regulation	
Line Volts	+/- 5%
Line Watts	WITHIN TRAPEZOID
Frequency	60 Hz
Circuit Type	R - NPF (HPF WITH CAP)
Power Factor (min)	90% min with CAP
Insulation Class	H(180°)
Min. Ambient Starting Temp.	-40° F or -40° C

2 5/8" X 2 3/16" CORE

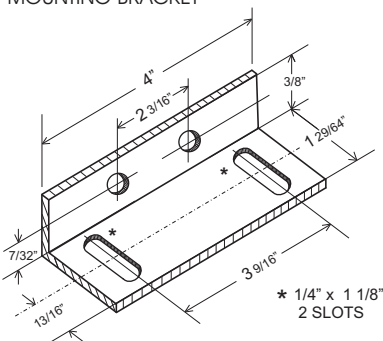


CORE AND COIL

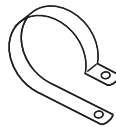
Dimension A (inches)	1.30
Dimension B (inches)	2.50
Weight (lbs)	2.70
Lead Lengths (inches)	12

Line Voltage (Volts)	120	120
Line Current (Amps)	NPF	HPF
Operating	1.60	0.75
Open Circuit Starting	0.0	1.45
Input Watts (W)	81	81
Open Circuit Voltage (V)	120	120
Drop Out Voltage	95	95
UL(1029) Bench Top Rise	A	A
Recommended Fuse (Amps)	8	5
HIGH POTENTIAL TEST (VOLTS)		
1 Minute	2000	
2 Seconds	2500	
Open Circuit Voltage Test (volts)	114-126	
Short-Circuit Current Test (Amps)		
Secondary Current Input Current	1.8 - 2.06	
	1.8-	0.65-
	2.10	0.80

BRACKET CORE & COIL MOUNTING BRACKET

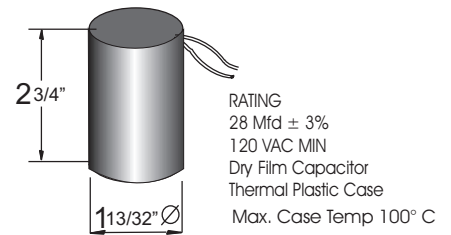


1353
Mounting bracket for
Core & Coil Ballasts
(1 bracket with thru bolts)



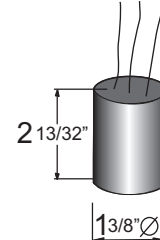
C-01
MOUNTING CLIP for round
case (Furnished as standard
with B suffix ballast)

CAPACITOR



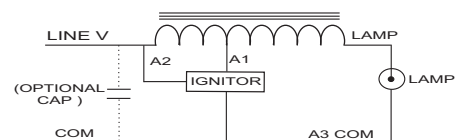
RATING
28 Mfd ± 3%
120 VAC MIN
Dry Film Capacitor
Thermal Plastic Case
Max. Case Temp 100° C

IGNITOR 37-63-AS-11.1N



(THERMAL PLASTIC CASE)
Max. case temp
110° C

WIRING DIAGRAM



ORDERING INFORMATION

*** Add proper suffix to catalog number when ordering as indicated below:
No suffix = Core and Coil and Ignitor Only
B = Core and Coil, Ignitor and Bracket
C = Core and Coil, Ignitor and Capacitor
BC = Core and Coil, Ignitor, Capacitor and Bracket

Data is based upon tests performed by Industrias Sola Basic in a controlled environment and representative of relative performance. Actual Performance can vary depending on operating conditions. Specifications are subject to change without notice.

CERT. No.
006281



ISO 9001

Lighting & Power Source
2707 Realty Road, Suite 110
Carrollton, TX 75006
Tel: (888) 385-4448
Fax: (972) 418-5858

Made in Mexico by Industrias Sola Basic S.A. de C.V.