

# B432IUNVHP-A

## APPLICATION and PERFORMANCE SPECIFICATION

**Description:** High frequency electronic ballast for (4/3) F32T8, (4/3) F32T8ES, (4/3) F32T8ES-25W, (4/3) F28T8, (4) F25T8, (4) F17T8, (4) F25T12, and (3) F40T8. Also equivalent U-shaped lamps.

- Line Voltage: 108vac - 305vac, 50/60Hz
- Instant Start
- Parallel Lamp Operation

| Lamp          |          | Volts      | Input Watts | Nominal Line Amps | Power Factor    | Ballast Factor | Ballast Efficacy Factor | Harmonic Total  | Crest Factor    |
|---------------|----------|------------|-------------|-------------------|-----------------|----------------|-------------------------|-----------------|-----------------|
| Type          | #        |            |             |                   |                 |                |                         |                 |                 |
| <b>F32T8</b>  | <b>4</b> | <b>120</b> | <b>110</b>  | <b>0.93</b>       | <b>&gt; .99</b> | <b>.88</b>     | <b>0.80</b>             | <b>&lt; 10%</b> | <b>&lt; 1.7</b> |
| <b>F32T8</b>  | <b>4</b> | <b>277</b> | <b>108</b>  | <b>0.40</b>       | <b>&gt; .98</b> | <b>.88</b>     | <b>0.81</b>             | <b>&lt; 10%</b> | <b>&lt; 1.7</b> |
| F32T8         | 3        | 120        | 92          | 0.77              | > .99           | .94            | 1.02                    | < 10%           | < 1.7           |
| F32T8         | 3        | 277        | 89          | 0.34              | > .95           | .94            | 1.06                    | < 10%           | < 1.7           |
| F32T8ES       | 4        | 120        | 104         | 0.87              | > .98           | .88            | 0.85                    | < 10%           | < 1.7           |
| F32T8ES       | 4        | 277        | 101         | 0.38              | > .95           | .88            | 0.87                    | < 10%           | < 1.7           |
| F32T8ES       | 3        | 120        | 86          | 0.72              | > .98           | .96            | 1.12                    | < 10%           | < 1.7           |
| F32T8ES       | 3        | 277        | 84          | 0.32              | > .95           | .96            | 1.14                    | < 10%           | < 1.7           |
| F32T8ES (25W) | 4        | 120        | 90          | 0.74              | > .98           | .89            | 0.99                    | < 10%           | < 1.7           |
| F32T8ES (25W) | 4        | 277        | 88          | 0.33              | > .95           | .89            | 1.01                    | < 10%           | < 1.7           |
| F32T8ES (25W) | 3        | 120        | 73          | 0.61              | > .98           | .97            | 1.33                    | < 10%           | < 1.7           |
| F32T8ES (25W) | 3        | 277        | 72          | 0.27              | > .95           | .97            | 1.35                    | < 10%           | < 1.7           |
| F28T8         | 4        | 120        | 96          | 0.80              | > .98           | .89            | 0.93                    | < 10%           | < 1.7           |
| F28T8         | 4        | 277        | 93          | 0.35              | > .95           | .88            | 0.95                    | < 10%           | < 1.7           |
| F28T8         | 3        | 120        | 79          | 0.66              | > .98           | .97            | 1.23                    | < 10%           | < 1.7           |
| F28T8         | 3        | 277        | 77          | 0.29              | > .95           | .97            | 1.26                    | < 10%           | < 1.7           |
| F25T8         | 4        | 120        | 87          | 0.72              | > .99           | .89            | 1.02                    | < 10%           | < 1.7           |
| F25T8         | 4        | 277        | 85          | 0.32              | > .95           | .89            | 1.05                    | < 10%           | < 1.7           |
| F17T8         | 4        | 120        | 59          | 0.49              | > .98           | .90            | 1.53                    | < 10%           | < 1.7           |
| F17T8         | 4        | 277        | 58          | 0.22              | > .90           | .90            | 1.55                    | < 10%           | < 1.7           |
| F25T12        | 4        | 120        | 91          | 0.77              | > .99           | .90            | 0.99                    | < 10%           | < 1.7           |
| F25T12        | 4        | 277        | 88          | 0.34              | > .95           | .90            | 1.02                    | < 10%           | < 1.7           |
| F40T8         | 3        | 120        | 114         | 0.95              | > .99           | .92            | 0.81                    | < 10%           | < 1.7           |
| F40T8         | 3        | 277        | 109         | 0.41              | > .98           | .92            | 0.84                    | < 10%           | < 1.7           |

Application and Performance Specification Information Subject to Change without Notification.

**Performance:**

- Meets ANSI Standard C82.11-1993
- Meets ANSI Standard C62.41-1991
- Meets FCC Part 18 (Class A) for EMI and RFI Non-Consumer Limits
- Anti-striation circuitry

**Safety:**

- No PCB's
- UL listed (Class P, Type 1 Outdoor, Type HL)
- CSA Certified

**Application:**

- Minimum Starting Temperature: 0° F, -18° C
- For F40T8 lamps: 32° F, 0° C
- For ES & 28W Lamps: 60° F, 16° C
- Maximum Case Temperature: 167° F, 75° C
- Sound Rated: A
- Remote Mounting: 18 ft. max. lead length, 18 AWG
- No remote/tandem wiring for ES lamps

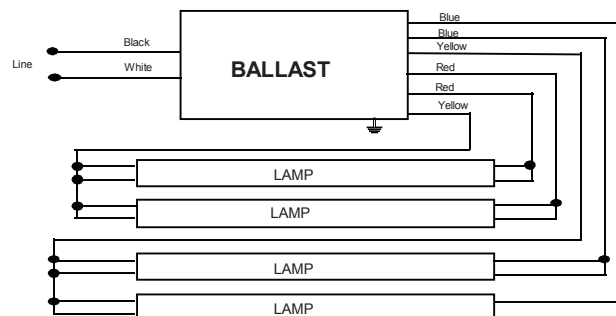
**Physical Parameters:**

- Length: 9.50"
- Width: 1.70"
- Height: 1.18"
- Weight: 1.7 lbs.
- Lead Length: White, Black 25" (± 1")
- Red & Blue 31" (± 1")
- Yellow 45" (± 1")

**Warranty:**

Universal Lighting Technologies warrants to the purchaser that each electronic ballast will be free from defects in material or workmanship for a period of 5 years from date of manufacture when properly installed and under normal conditions of use. Call 1-800-BALLASTx800 for technical assistance.

**Manufactured in North America**



Note: For three lamp operation, cap any blue lead, insulate to 600 volts

**Ballast must be grounded in accordance with national and local electrical codes.**

