

LEDWP60W/80W 60 & 80 Watt LED Wall Pack



Project:	
Type:	
Catalog #:	

STANDARD



The LEDWP60W/80W are rugged, durable LED wall packs, which are perfect for outdoor perimeter and area lighting. With die cast aluminum housings and vandal resistant, borosilicate glass lenses, the LEDWP60W/80W will stand up to many years of punishing environmental conditions. High-efficacy, long-life LEDs provide both energy and maintenance cost savings compared to traditional, HID wall packs.

FEATURES

- Available in 4000k (neutral white) and 5000k (cool white) color temperatures.*
- Long-life LEDs provide 59,000 hours of operation (LEDWP60W), or 57,000 hours of operation (LEDWP80W) with at least 70% of initial lumen output (L₇₀).**
- LEDWP60W models deliver 5,498 lumens and 96 lumens per watt (LPW) at both 4000k and 5000k.*
- LEDWP80W models deliver 7,585 lumens and 100 LPW at both 4000k and 5000k.*
- Uniform illumination with no visible LED pixilation.
- Universal 120-277 AC voltage (50-60Hz) is standard.
- Power factor > 0.90.
- Total harmonic distortion < 20%.
- Color rendering index > 80.
- Die cast aluminum housing with durable, dark bronze, powder coat paint.
- Tempered, borosilicate glass lens with seamless, silicone gasket to prevent leaks.
- Removable, threaded plugs for side attachment of ½" rigid electrical conduit, or for button photocells.
- Easy installation in new construction or retrofit.

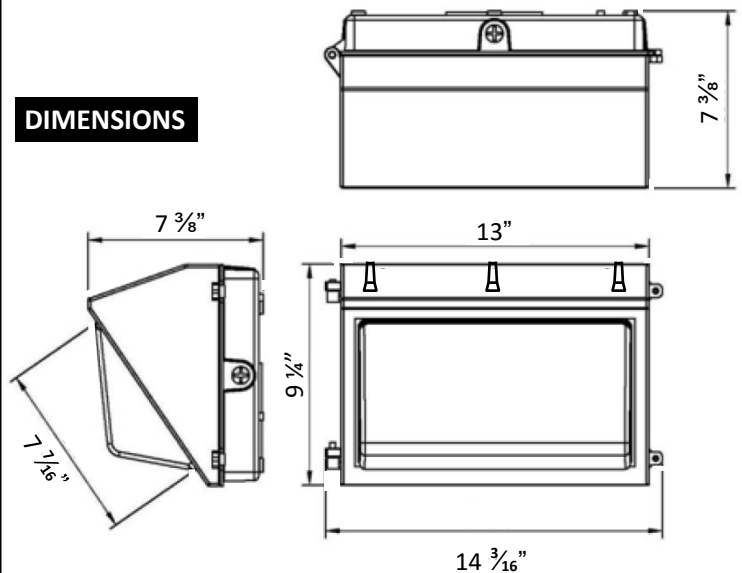
* Contact factory for other color temperatures and lumen packages.
 ** L₇₀ hours are IES TM-21-11 calculated hours.



WARRANTY & LISTINGS

- cULus listed for wet locations (-30°C to 40°C / -22°F to 104°F).
- IP65 rated.
- DLC approved.
- Tested and approved to UL 1598, UL8750 and IEC60598 safety standards.
- 5-year warranty on all electronics and housing.

DIMENSIONS



Weight: 11 lbs.

ORDERING INFORMATION

Model	Luminaire Watts	Luminaire Lumens	Lumens Per Watt	Color Temperature
LEDWP60W-4K	57	5,498	96	4K = 4000k
LEDWP60W-5K	57	5,498	96	5K = 5000k
LEDWP80W-4K	76	7,585	100	4K = 4000k
LEDWP80W-5K	76	7,585	100	5K = 5000k

ELECTRICAL

Model	Color Temperature	CRI ¹	Luminaire Lumens	Luminaire Watts	Lumens Per Watt	Input Voltage	Input Current (A)			Power Factor	THD ²	L ₇₀ Hours ³
							120V	240V	277V			
LEDWP60W-4K	4000k	> 80	5,498	57	96	120-277 (50-60Hz)	0.48	0.24	0.21	> 90%	< 20%	59,000
LEDWP60W-5K	5000k	> 80	5,498	57	96	120-277 (50-60Hz)	0.48	0.24	0.21	> 90%	< 20%	59,000
LEDWP80W-4K	4000k	> 80	7,585	76	100	120-277 (50-60Hz)	0.63	0.32	0.27	> 90%	< 20%	57,000
LEDWP80W-5K	5000k	> 80	7,585	76	100	120-277 (50-60Hz)	0.63	0.32	0.27	> 90%	< 20%	57,000

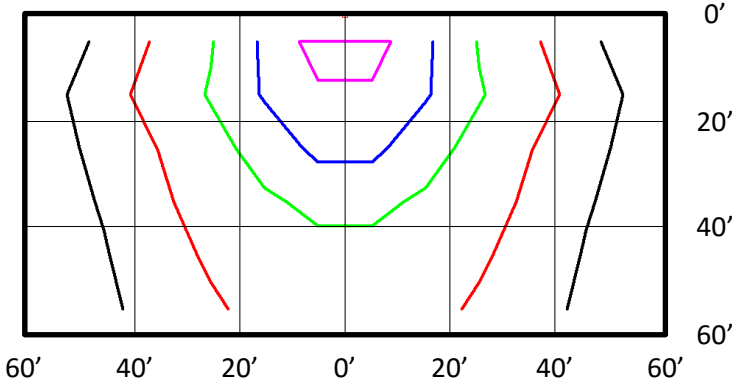
¹ Color rendering index

² Total harmonic distortion

³ L₇₀ refers to the number of hours at which lumen output declines to 70% of the initial level. L₇₀ hours are IES TM-21-11 calculated hours.

PHOTOMETRIC DATA

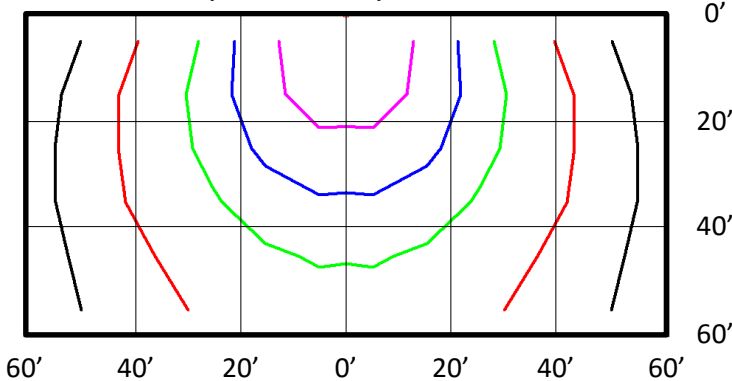
LEDWP60W-4K (5,498 Lumens)



BUG Rating: B1-U4-G4

Zone	Lumens	%
FL - Front - Low (0-30)	504	9%
FM - Front - Medium (30-60)	1,426	26%
FH - Front - High (60-80)	1,233	22%
FVH - Front - Very High (80-90)	545	10%
Total Forward Light	3,709	67%
BL - Back - Low (0-30)	282	5%
BM - Back - Medium (30-60)	303	6%
BH - Back - High (60-80)	86	2%
BVH - Back - Very High (80-90)	19	0%
Total Back Light	690	13%
UL - Up Light - Low (90-100)	442	8%
UH - Up Light - High (100-180)	657	12%
Total Up Light	1,100	20%
Total Lumens	5,498	100%

LEDWP80W-4K (7,585 Lumens)



BUG Rating: B1-U4-G5

Zone	Lumens	%
FL - Front - Low (0-30)	710	9%
FM - Front - Medium (30-60)	2,095	28%
FH - Front - High (60-80)	1,702	22%
FVH - Front - Very High (80-90)	754	10%
Total Forward Light	5,260	69%
BL - Back - Low (0-30)	336	4%
BM - Back - Medium (30-60)	318	4%
BH - Back - High (60-80)	81	1%
BVH - Back - Very High (80-90)	19	0%
Total Back Light	754	10%
UL - Up Light - Low (90-100)	632	8%
UH - Up Light - High (100-180)	939	12%
Total Up Light	1,571	21%
Total Lumens	7,585	100%

Foot Candles



Notes:

- Isofootcandle plots depict initial footcandles at grade.
- Gridlines represent units of mounting height of 20 feet.