

BayBrite-ECO LED Tube



Applications

- Ideal replacements for traditional HID fixtures
- Warehouse
- Storage Facilities
- Manufacturing
- Task Lighting
- Automotive Repair Garages

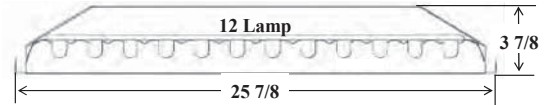
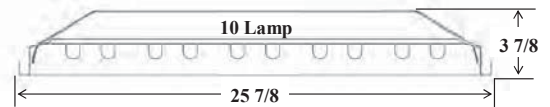
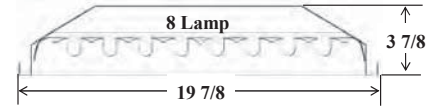
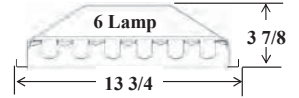


Features

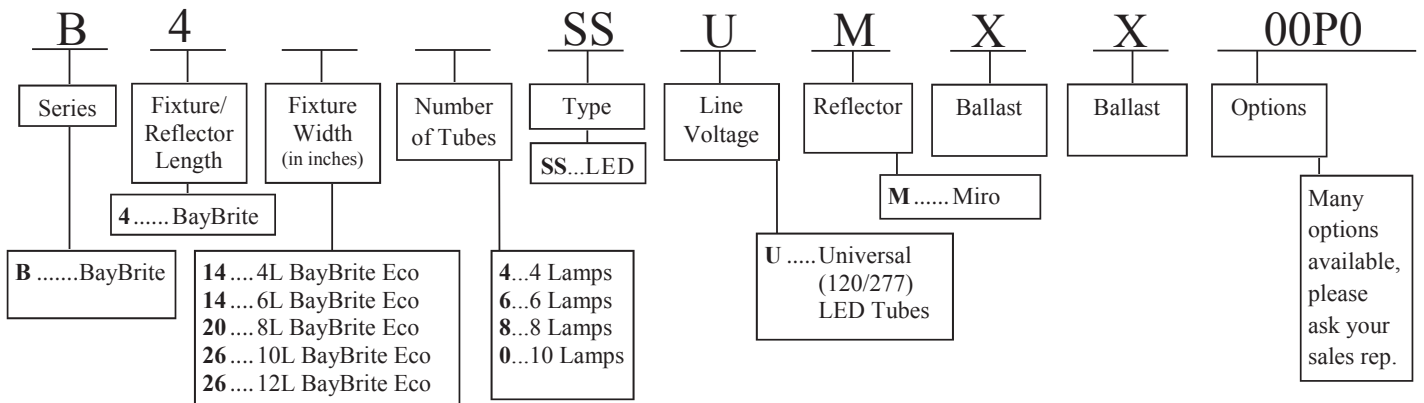
- LED T8 Tube Ready
- Quick Installation with Wago Disconnect
- Ready for Line Voltage
- Fully Enclosed Housing
- LED Ready Sockets Installed at the Factory
- Self Ballasted T8 LED Tubes (not included)
- Wireguard & Door/Lens Options Available*



Proudly made in the U.S.A



*Door/Lens Option not available on 10 and 12 lamp fixtures



1000 Kieley Place., Cincinnati OH 45217

513-772-5070 office

513-252-0590 fax

www.techbrite.com

*Input wattage calculated using ballast manufacturer data in an open-air lamp application.

*Actual fixture wattage may vary based upon a variety of factors including: ballast factor; lamp wattage; input line voltage; ballast manufacturer; and/or environmental temperature.